

The flagship of the Motion range delivers even more performance while keeping a very manageable footprint.

For the next generation of our Motion Series, we wanted to do something extraordinary. Tired of the "status quo," we went back to the drawing board, tasked with reinventing the legend of Motion Series. We came up with all-new audio technologies, a bold design, and modern finish options. We changed everything, leaving nothing on the table, to bring you our best Motion Series ever.

Experience unparalleled detail, clarity, and power in a sleek and unobtrusive floorstanding design. Equipped with the advanced Gen2 FMT technology and featuring a Woven Fiberglass midrange and dual 6.5" aluminum bass drivers, the Motion[®] F20 is the perfect addition to any home theater or 2-channel setup. Boasting exceptional bass extension and dynamics, the Motion[®] F20 strikes the perfect balance of performance and size, making it the ideal choice for discerning audio enthusiasts.

F20

Application

Floorstanding

Frequency Response

35 Hz - 25kHz \pm 3 dB

Dispersion

90° (vertical) x 90° (horizontal)

Sensitivity

92 dB

Impedance

4 ohms

Crossover Frequency

230 Hz, 2600 Hz (3-way)

High Frequency Driver

1" x 1.4" (2.6cm x 3.6cm) Gen2 Obsidian Folded Motion® Tweeter with 9.2 in² (59.4 cm²) diaphragm.

Mid Frequency Driver

5.5" (14cm) Woven Fiberglass cone with cast polymer basket. Non-resonant sealed chamber format. Unibody cone construction.

Low Frequency Drivers

2x 6.5" (16.5cm) aluminum cones with cast polymer baskets. Non-resonant asymmetrical chamber format. Unibody cone construction.

Cabinet

Bottom Ported

Recommended Amp Power

20 - 300 watts

Binding Post Inputs

Custom bi-amp/bi-wire capable 5-way binding posts

Weight

60lbs / 27.2kg

Dimensions (HxWxD)*

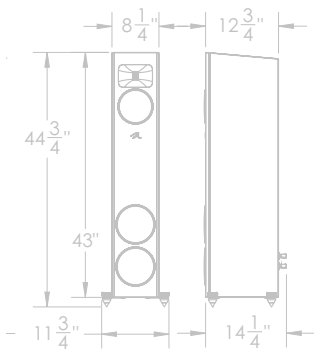
44-3/4" x 11-3/4" x 14-1/4"
112.7cm x 29.8cm x 36.2cm

Finish

Gloss Black, Walnut, and Satin White

*Product dimensions include feet, binding posts, and grilles.

Specifications are subject to change without notice.



Controlled Dispersion

Any time your speaker reflects sound off of a surface in your room, it changes the sound in some way. One of the most harmful changes that occurs is the result of the first reflection point, or the first point at which sound begins to bounce off the walls or other surfaces in the room. Controlled Dispersion minimizes these sound degrading early reflections by controlling the spread of sound from the tweeter into the room, enhancing your listening experience with greater clarity, and expanding placement options in any room.

Gen2 Obsidian Folded Motion Tweeter

Our signature thin-film tweeter technology just got better. With an upgraded motor structure, the latest Gen2 FMT provides higher output and lower distortion than ever before.

Folded Motion Waveguide

After an extensive evaluation of nearly 50 design options, the Folded Motion Waveguide profile was meticulously chosen to harmoniously align with the dispersion of the midrange drivers, resulting in enhanced output. The waveguide guarantees consistent sound quality regardless of the listener's position and minimizes unwanted room reflections. Proper waveguide design is crucial as it helps control the sound's dispersion pattern, ensuring that the sound is evenly distributed across the listening area, resulting in optimal sound quality.

Woven Fiberglass Midrange

The lightweight and robust Woven Fiberglass midrange in the Motion® series is perfectly suited for keeping pace with Motion's Gen2 FMT, providing crystal clear dialogue, vocals, and lifelike instrumentals. Perfectly pairs with Motion CI products to easily create customized solutions.

Single Cannon Bass Port

Rear ported tower speaker designs need 'room to breathe,' which can conflict with a room's layout or decor as they require ample spacing from a wall or cabinet. The bottom-mounted Single Cannon bass ports on the Motion® series tower models provide deeper, cleaner, and more powerful bass across a broader range of placement options.

Secure-Lock Grilles

Besides looking modern and elegant, our new Secure Lock grille design uses clever, stealth mounting tabs to securely hold the grilles in place while also allowing you to customize the appearance of your speaker. Instantly create a unique look to suit your preference at any time by choosing which grilles to leave on or off, or even rotating the grilles to display the grain of the fabric how you prefer.

Floor Bounce Compensation

Bringing studio reference sound to reality with precision woofer placement and crossover tuning, MartinLogan engineers have designed our Motion® Series tower models to produce a more natural and full sound by taking advantage of a constant found in all listening rooms; the presence of a floor. By incorporating the effects the floor has on reflected sound into our tuning process, F20 is able to achieve a more consistent, natural, and accurate sound than conventional designs.

McCracken-Vojtko Crossover

Named after our acoustic engineers, this new custom crossover perfectly melds the bespoke driver platforms. Carefully designed using proprietary measurement and simulation software, and fine-tuned and evaluated using double-blind listening tests, the McCracken-Vojtko crossover is the maestro that weaves all the elements into a cohesive whole.